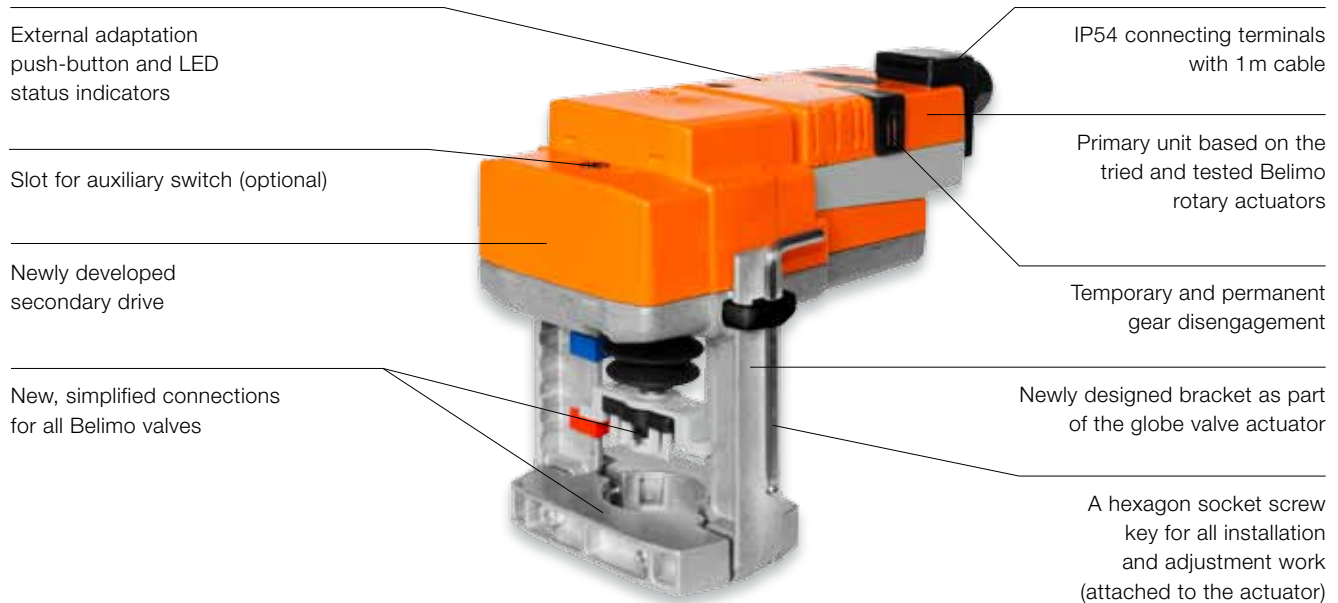




The new globe valve actuators. Versatile, intuitive, safe.

Based on the technology that has already proven itself in rotary actuators a million times over, Belimo is now bringing a new generation of globe valve actuators to the market to complete the comprehensive standardised actuator concept. To further enhance the field of application, the entire product range has been expanded to a power spectrum of 500 to 4500 N naturally to the usual Belimo quality standards. The compact design permits installation in stationary heating, ventilation and air conditioning systems where space is restricted. The new range is characterised by simple and intuitive handling, from mechanical connection to adjusting parameters.

Simple and clever concept. Globe valve actuators for a wide range of applications.



Product range overview		
Drive series	Actuating force [N]	Nominal stroke [mm]
LV ^{1) 2)}	500	15
NV ^{1) 2)}	1000	20
SV ^{1) 2)}	1500	20
SVL	1500	40
AVK ¹⁾	2000	32
EV ²⁾	2500	40
RV	4500	40

¹⁾ also available with SuperCap function (electrical emergency position function)
²⁾ also available as a fast runner with 35 s/nominal stroke (standard actuating time: 150 s/nominal stroke)

Methods of control:

- 3-point (AC/DC 24V, AC 230V)
- modulating DC 0.5...10V
- modulating DC 2...10V
- multifunctional (modulating, parameters can be set)
- MP bus (modulating, communicative)
- LON bus
- MOD bus

Connection technologies:

- IP54 terminals with 1 m cable (standard)
- 1 m cable direct connection (optional)
- IP54 terminals (optional)

Individual variants of globe valve actuator, including minimal quantities, can be prepared and produced beyond the standard product range by using the variant configurator. The electrical connection, programming function (running time, control) and labelling can be configured depending on the actuator type selected. We would be happy to advise you.

Belimo worldwide: www.belimo.com



5-year warranty



On site around the globe



Complete product range



Tested quality



Short delivery times



Comprehensive Support

BELIMO Automation AG, Brunnenbachstrasse 1, CH-8340 Hinwil
 Tel. +41 (0)43 843 61 11, Fax +41 (0)43 843 62 68, info@belimo.ch

